

智明電子股份有限公司規格承認書

CHIMING ELECTRONICS CORP SPECIFICATION FOR APPROVAL

地址:新竹市橫山鄉橫山村站前街 58 號 **Add:** #58 Station Street, Henghan Hsing, Hsinchu Hsien, Taiwan

Tel: 886-3-593-3482 OR 3-593-1851 **Fax:** 886-3-593-4537 OR 3-593-3238

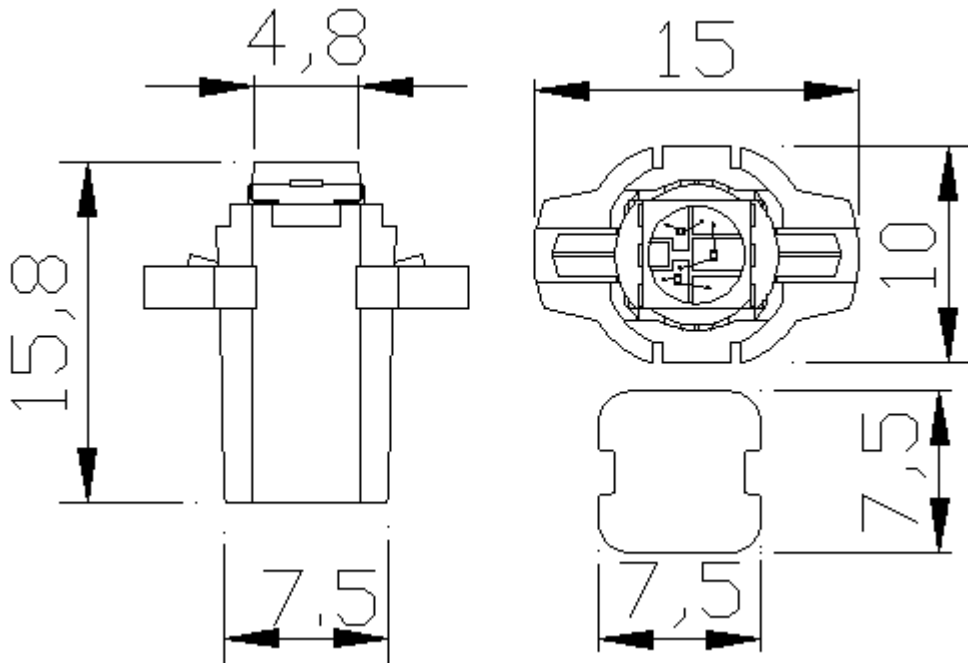
E-mail: att2278@ms71.hinet.net [Http://www.chi-ming.com](http://www.chi-ming.com)

DESCRIPTION:

(A) Electronics and Optical Characteristics: Ta=25°C

PART NO	Emitting Color	Forward Voltage (DC)	Totality Luminous Intensity	Efficacy	Dominant Wavelength	Color Temperature	Single LED Intensity	Viewing Angle
		Unit: V	Unit: LM Error margin: ±5%	Unit: LM/W	Unit: nm	Unit: K	Unit: mcd	Unit: deg
B8.3D-1HP3								
R	Super Red	15	5.3786	32.60	622.0~630	1001	1225	120.2
Y	Super Yellow	15	2.3495	14.24	592.2~595	1583	664	114.9
G	Ultra Green	15	5.8262	35.31	529.2~520	7657	1115	122.8
B	Ultra Blue	15	1.4346	8.70	462.9~455	≥100000	379	115.2
W	Super White	15	7.8163	47.37	X:0.3085Y:0.3363	6669	1526	107.2
Test Condition	Power:0.255W		Current:15±10%mA					

Figure:



(B) Absolute Maximum Ratings AT Ta=25°C

PARAMETER	MAX	UNIT
Continuous Forward Current		mA
Peak Forward Current (1/10 Duty Cycle 0.1ms Pulse Width)		mA
Reverse Voltage		V
Operating Temperature Range	-20°C to +50°C	
Storage Temperature Range	-40°C to +100°C	
Lead Solder Temperature 1.6mm Below Package 260°C For 5 seconds		

APPROVED & CHECKED BY: pangyouqing **Tested By:** pangyouqing **Date:** 2009/11/23